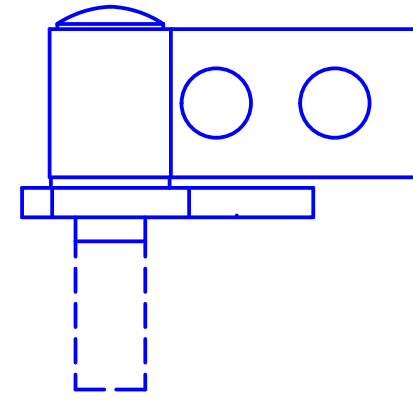
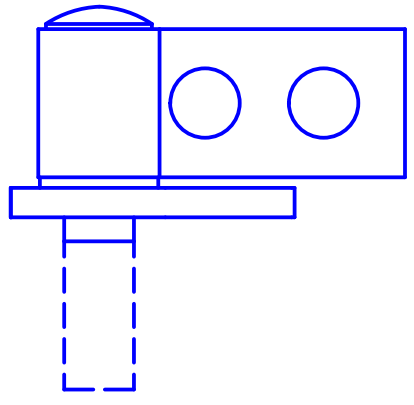
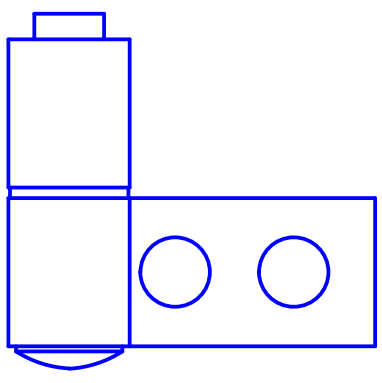
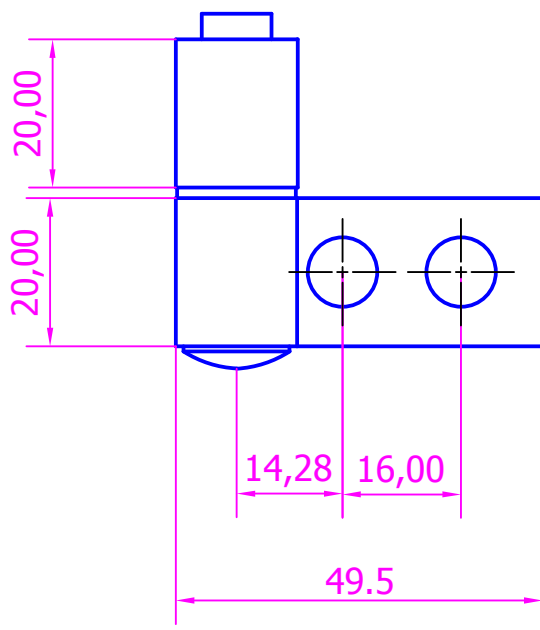


6 5 4 3 2 1

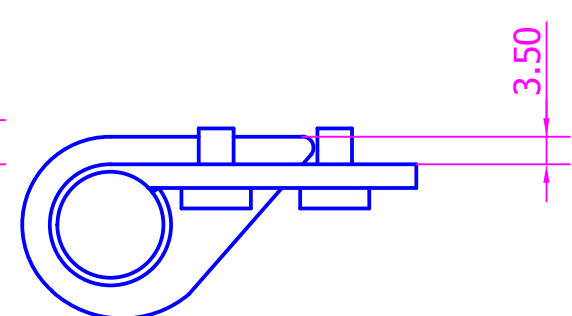
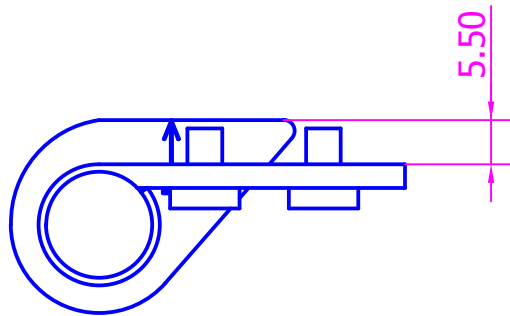
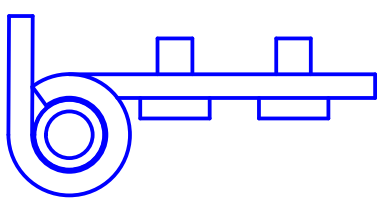
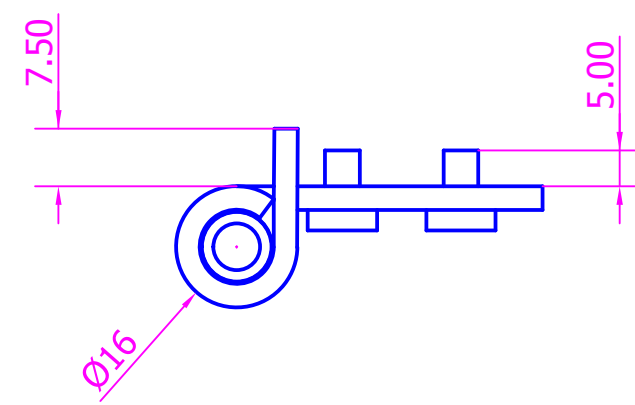
D

D



C

C




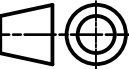
B

B

A

A

6 5 4 3 2 1

 <b>swf</b> STEEL WINDOW FITTINGS	Issue	Date	Material	Finish	 Scale @ A3
	1	28/05/2015			
	Designed By	Part No.			
	terry	B543			
Checked By	Description		Sheet		
	B543 ASSY OPTIONS		1 / 1		